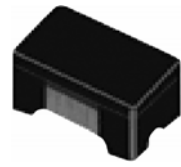


绕线片式均衡器—BW21S 系列

Wire Wound Chip Balun Transformer – BW21S Series

Operating Temp. : -40℃~ +85℃



特征

- 绕线结构，小尺寸
- 表面贴装
- 良好的耐焊性能

FEATURES

- Winding type realizes small size and low profile
- Surface mount type
- Excellent soldering heat resistance

用途

- 天线与电缆之间的平衡非平衡转换 (电视调谐器)

APPLICATIONS

- Balanced Un-balanced transformation between antenna and cable(TV tuner)

产品型号

PRODUCT IDENTIFICATION

B **W** **21** **S** **75** **11** **A01** **T** **F**
 ① ② ③ ④ ⑤ ⑥ ⑦ ⑧ ⑨

①

分类 Type	
B	片式均衡器 Chip Balun Transformer

②

结构 Structure	
W	绕线式 Winding Type

③

外形尺寸 (L X W) (mm) External Dimensions (L X W) (mm)	
21	2.0 X 1.2

④

类型 Type of Transformer	
S	标准型 Standard

⑤

端口阻抗 Port Impedance	
75	75 Ω

⑥

阻抗转换比 Impedance Ratio	
11	1:1 one to one

⑦

特性代码 Characteristics Code	
A01	

⑧

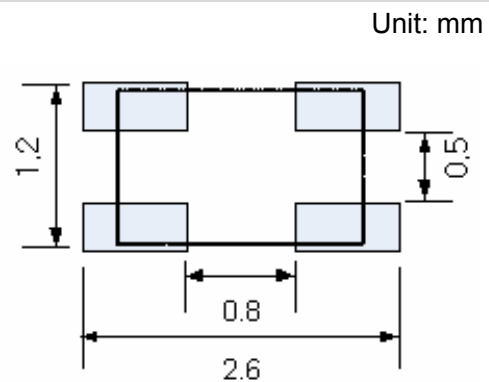
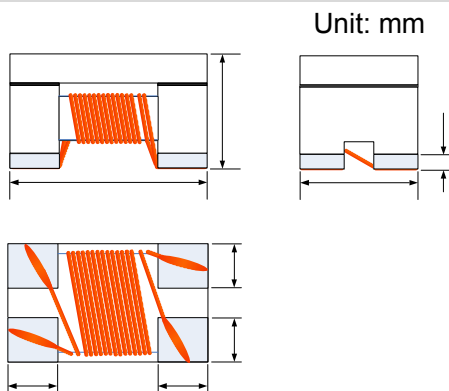
包装 Packing	
T	编带 Tape & Reel

⑨

无有害物质产品 Hazardous Substance Free Products	
F	

外观尺寸

SHAPE AND DIMENSIONS



规格特性

SPECIFICATIONS

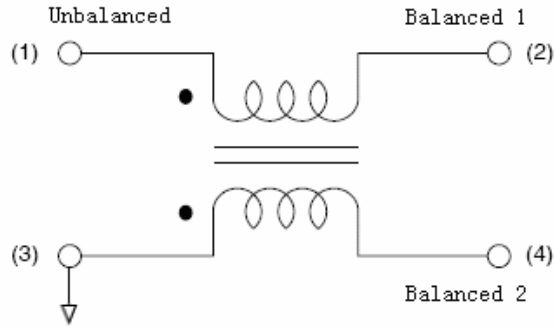
BW21S7511 TYPE

Part Number 型号	Freq. Range 使用频率范围	Port Impedance 端口阻抗	Insertion Loss at Freq. Range (max.) 插入损耗	CMRR at Freq. Range (max.) 共模抑制比	Rated Power 额定功率
Units 单位	(MHz)	Ω	dB	dB	dBm
BW21S7511A01TF	45~870	75/75	1.0max	20min	27

※: Products with other electrical characteristics can be provided upon customer's request. Please contact your local sales.

等效电路

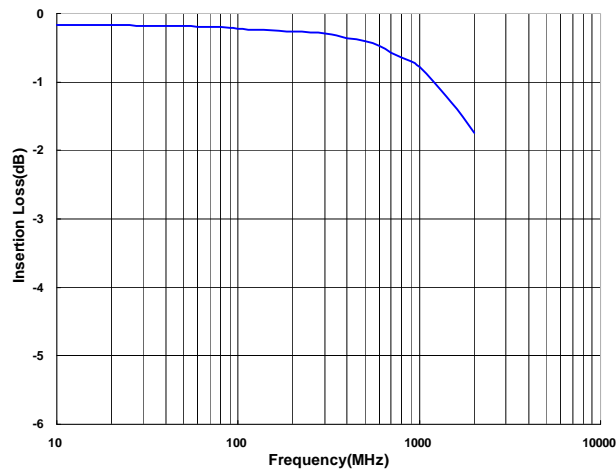
EQUIVALENT CIRCUIT



电气特性

TYPICAL ELECTRICAL CHARACTERISTICS

Insertion Loss Characteristics



CMRR Characteristics

